



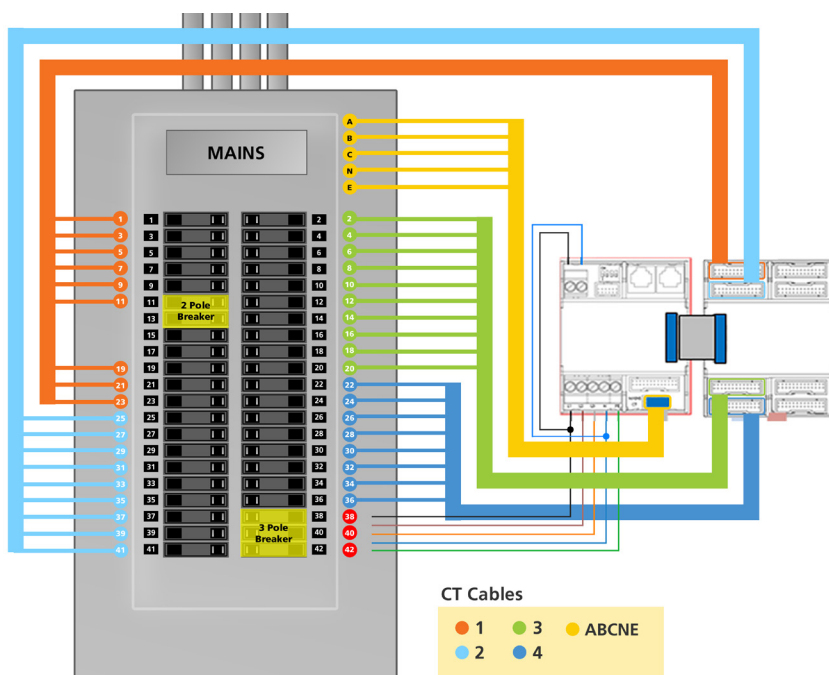
# Branch Circuit Monitoring System

## Data Center Panelboard and Busway Monitoring

Raritan's intelligent Branch Circuit Monitoring (BCM) system allows you to fully utilize your power infrastructure and manage capacity as your data center grows and changes. Whether you are retrofitting an existing facility, or planning for growth or new construction, Raritan's BCM system can help you reduce energy costs, track power usage, and prevent downtime. Easily add metering where it never existed before.

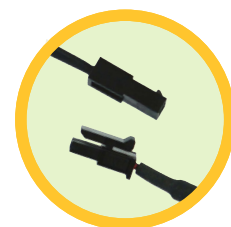
This easy-to-deploy modular system, enables real-time views of electrical capacity and power usage on branch circuits, and mains, in an electrical service entrance or a remote power panel. It sends threshold alerts for power and environmental conditions, thereby helping to prevent downtime. The data can also support energy efficiency and customer charge-back initiatives. Plus it integrates with Power IQ® DCIM Monitoring Software, and other preexisting building management system (BMS) and DCIM solutions.

### BCM Panelboard Wiring Example:



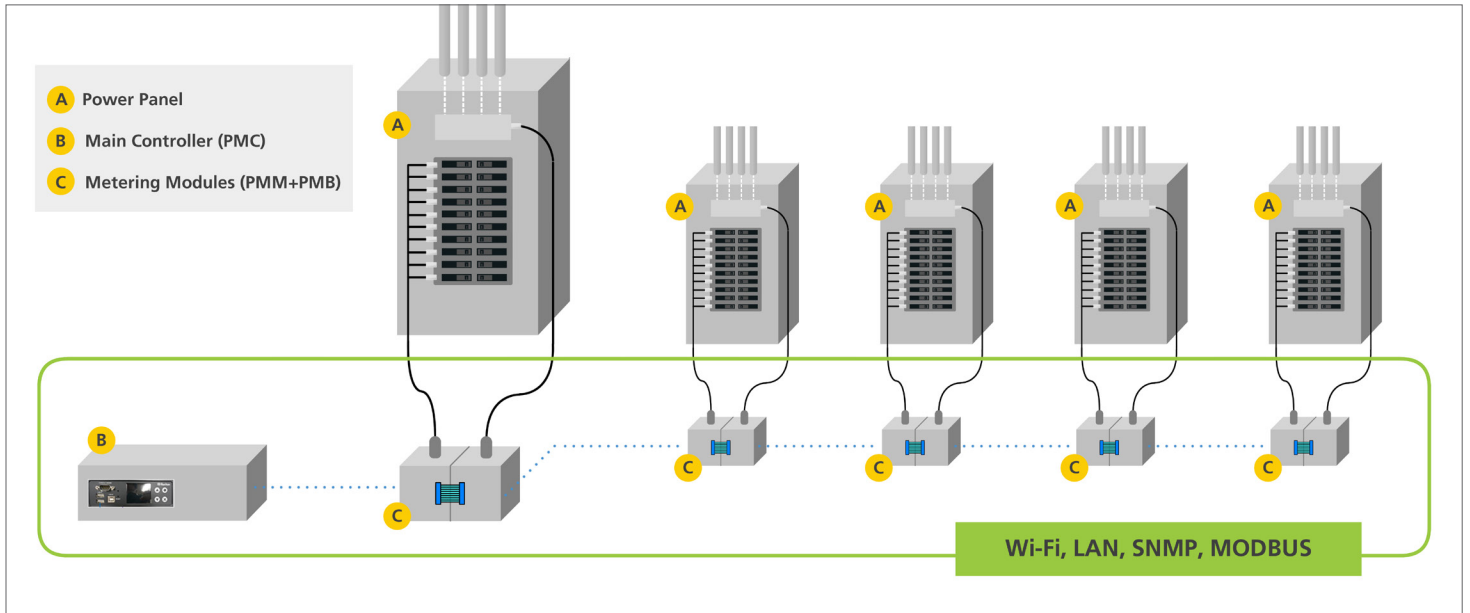
## Features

- Meters Floor PDU, RPPs and busways
- One controller supports up to 70 power meters
- Quick configuration via USB stick preloaded with panel schedule
- CTs connect to live circuits
- Auto-correct metering adjusts for CT orientation on wires
- Real-time configurator
- USB ports for configuration, Wi-Fi networking and remote tablet
- Supported by DCIM software that offers auto-discovery as a panel
- Several enclosure options
- Same firmware as Raritan rack PDUs
- Remote display using PDView app
- Collects data on: A, V, kW, kVA, power factor, and kWh
- Protocols include TCP/IP, Modbus and SNMP
- Environmental sensors support



Locking connectors for error-proof and reliable connections.

# Scale Your Solution by Adding Modules



## Metering Where It Never Existed Before

- Legacy data centers
- Floor standing and hard wired devices
- Floor PDU, remote power panels and overhead busways

## Quick and Simple Installation

- Split core current transformers (CTs) attach to existing branch circuits and mains
- The CTs can be installed in either direction; metering system auto-corrects
- The modular design and various enclosure options provide flexible deployment alternatives
- Several mounting options including: subfloor, wall mount, IT rack, and DIN rail
- The wiring harness allows you to install the CTs without a lot of excess wires
- Simplified and clean wire installation using multi-conductor cable fed into panel to attach CTs

## Easy to Configure and Use

- Quick configuration via USB stick preloaded with panel schedule.
- Real-time laptop configurator displays current and phase
- Power data readily available with Power IQ Software or other building management systems

## Scalable and Cost effective

- Modular system allows you to add metering as and when needed
- Cost effective installation, quick configuration, and ease of use lowers your TCO
- Data can be used to reduce downtime and drive efficiency initiatives
- TCP/IP, SNMP, MODBUS protocols are standard; no need to purchase separate ethernet module
- Highest density metering in the market

Ready to Learn more about Raritan's Intelligent Branch Circuit Monitoring System?  
Call 1.800.724.8090 for more information.

Raritan is a proven innovator of power management solutions and KVM-over-IP for data centers of all sizes. In over 76 countries and 50,000 locations worldwide, Raritan's award-winning hardware solutions increase energy efficiency, improve reliability, and raise productivity.

©2015 Raritan Inc. All rights reserved. Raritan®, Know more. Manage smarter.™ are registered trademarks or trademarks of Raritan Inc. or its wholly-owned subsidiaries. All others are registered trademarks or trademarks of their respective owners.